

JDM9 series preset counter manual

■ Features

1. Strong anti-jamming, high reliability, used widely in industrial control systems.
2. Standard Dimensions (72x72mm), geared to international standards
3. Adopt high frequency crystal oscillator frequency splitting technique, with high accuracy.
4. 4. Time range is wide, max is 999999
5. 5. Fit to GB14048.5-2001 and JB/T JB/T 8794-1998 relevant provision.
6. Strictly produce according to standard, 9 working procedures and 5 times strict inspections.

■ Apply range

Mainly used in industrial control systems, used widely at Petroleum, chemical, textile, machinery, mining, national defence, agriculture, food, printing etc, Please make twice protection when use this product to control precious equipment or the occasion which imperil person's life.

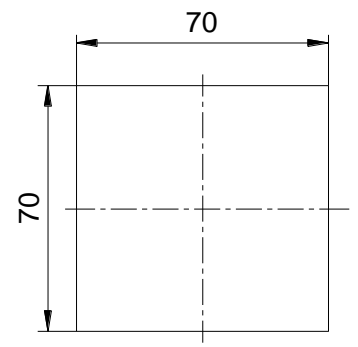
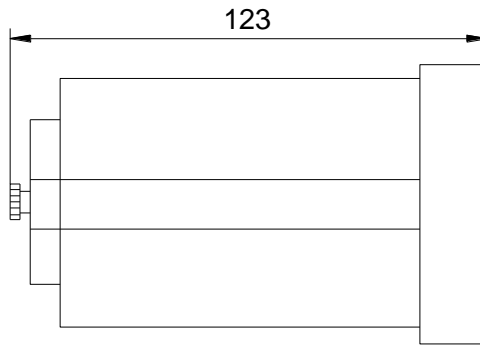
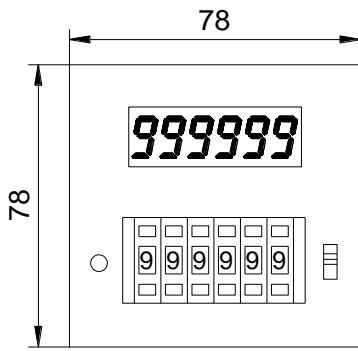
■ Main technical parameter

| | | | |
|-----------------------|---|------------------------|---|
| Supply voltage | Refer to the label of case, the voltage fluctuation is 85%-110%Ur | Mechanical life | ≥1x10 ⁶ ops |
| Power consumption | ≤3VA | Electrical life | ≥1x10 ⁵ ops |
| Counting range | JDM9-4: 1-9999; JDM9-6: 1-999999 | Reset mode | Press the panel pushbutton or short circuit between 3,4 terminals |
| Counting speed | 30 cps max, the min count pulse width is 150ms | Pause time | ≥0.05s |
| Auxiliary power | DC12V (schematically) 25mA | Power restart | ≥1s |
| Input signal | Contact, level, sensor, can be selected | Counting error | ≤1 |
| Contact quantity | 1 group passive contacts output | Mounting type | Panel type |
| Contact rating | 3A@250Vac/5A@24Vdc | Perforation dimensions | 72x72mm |
| Operating temperature | -5℃—45℃ | No-power memory | Can choose to keep the data or not, if keep, can remain 10 years |
| Store temperature | -20℃—70℃ | | |

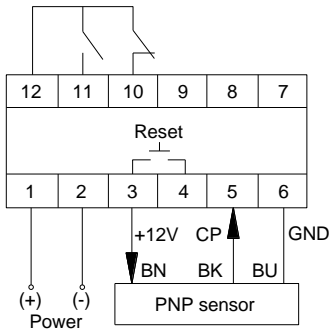
■ Electric characteristic

| | | | |
|-----------------------|---|---------------------|---|
| Insulation resistance | 100MΩ min at 500Vdc | Dielectric strength | 2000Vac, 50/60Hz for 1min |
| Anti-jamming | EFT execute GB/T17626-4 level | impact | Impact resistance: 30G X、Y、Z direction 3 times each |
| Anti-jamming | ESD execute GB/T17626-3 level | impact | Malfunction: 10G X、Y、Z direction 3 times each |
| vibration | Shock resistance: 10-50Hz(1min periods) 0.75mm swing, X、Y、Z direction 1h each | | |
| vibration | Malfunction: 10-55Hz(1min periods) 0.5mm swing, X、Y、Z direction 1min each | | |

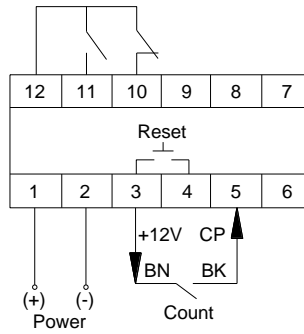
■ External dimensions and Perforation dimensions (Unit: mm)



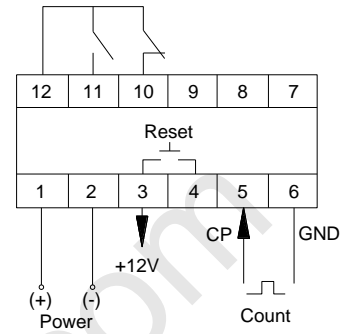
■ Wiring diagram



Sensor input



Contact input



Level input

UP counting
Low level DC0-2V
High level DC6-36V

■ Use description:

1. Please preset the count value before connecting to the power, it is invalid when set the value after power, the power supply re-start interval is ≥ 1 seconds.
2. Reset function: you can connect the reset terminals or press the panel reset button at any power-on time, relay will return to the initial state.
3. In strong electrical environment or the count terminal cables are with long cable, please use a shielded wire, if the input is sensor, recommended the working power DC6-36V sensors.
4. Reset terminal and add / minus count terminal is passive contact control mode, do not input voltage, to avoid damaging the relay

■ Product list

Host, panel mounting card, dust-proof cap, manual.