

# ZKC-200D intelligent voltage regulator manual

## ■ Introduction

ZKC-200D intelligent voltage regulator is used with SCR, can adjust load voltage accurately, adopt phase-shift trigger method, so that adjust voltage continuously, and because of voltage negative feedback function, has been less affected by the power fluctuations. The voltage regulator adopt advanced special control microprocessor, RISC instruction set design, two-color LED digital display, compared to traditional pointer regulator, has advantage of high-performance control, cost-effective, high precision, strong shock resistance, good reliability, strong anti-interference ability, small size, light weight, clear reading, etc. It can be widely used in blow molding, suction, heating module, packaging machinery and other machinery equipment.

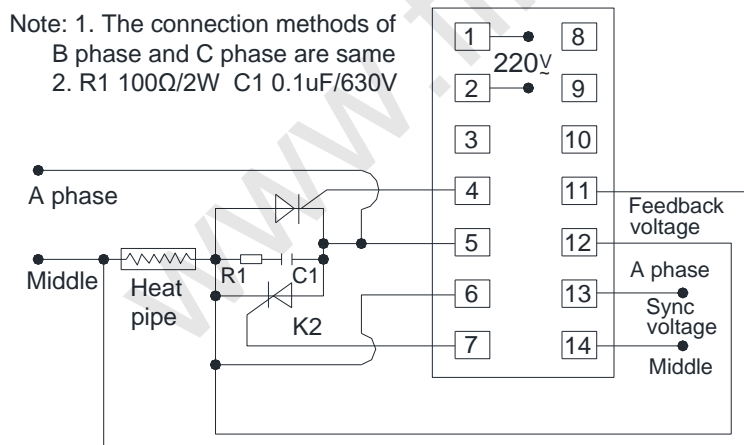
## ■ Main technical parameters

1. Display resolution: 1V
2. Measure range: 0-250V
3. Setting range: 0-220V
4. Output pulse: Amplitude>3V, width>50us(In 50Ω load)
5. Phase shift trigger maximum conduction angle: >160°
6. Operating temperature: 0 to 50 °C (32 to 122 °F)
7. Operating humidity: 85% RH max, non-condensing
8. Supply voltage: AC220V±15%, 50/60Hz about 3VA

## ■ Installation

1. Select the appropriate SCR by work requirement, if voltage is 220VAC, please select the SCR that the withstand voltage is more than 600V. SCR rated current is twice greater than the actual maximum operating current, while paying attention to the peak current, and it should be within the limit value of the SCR
2. The SCR should be coupled with sufficient heat sink to ensure that the SCR operating temperatures is below 80 °C, if necessary, use air cooling heat dissipation.

## ■ Wiring diagram



## ■ Instructions

1. "∧" "∨" keys are set value plus or minus key. When the controller is in working, can modify the set value by press them

### ■ Note

1. The controller is only suitable for resistive loads, must not be used for inductive (capacitive) loads, such as transformers, induction heaters etc.
2. If the measured value is flashing in working, check the SCR and load whether they are damaged.
3. The controller can only fit one way SCR modules
4. Warranty is 12 months.